

**ULTRA 32A
ELECTRIC VEHICLE CHARGING SYSTEM**



RELIABLE AND AFFORDABLE EV CHARGING SOLUTIONS

ULTRA Home 32A is our simplest and most affordable EV charging system. The ULTRA Home is extremely easy to operate and has features that automatically optimizes your vehicle battery. 80% of charging takes place at a person's home/office and our system provides peace of mind and security for our customers who don't want to even think about it

HIGHLIGHTS

- Charges up to 3x Faster than a standard AC outlet
- LED Indicators and LCD display
- Max. Output Current Switch :16A/20A/24A/28A/32A (208/240Vrms)
- Compact and Durable Enclosure
- Configured for Private Label Opportunities

CHARGE QUICKER AT HOME

When connected to a 240V source, the Ultra 32A is able to add up to 25 miles for every hour of charge.

ATTRACT MORE CUSTOMERS TO YOUR BUSINESS

Attract the ideal customers for longer by adding EV charging to your parking spaces. Perfect for Shopping Centers, Parking Structures or any under utilized space.

CONVENIENT EV CHARGING AT THE WORKPLACE

See if your business is eligible for tax incentives and credits for installing EV Chargers at your office.

ULTRA 32A ELECTRIC VEHICLE CHARGING SYSTEM



SERVICE FEATURES AND BENEFITS

Technical Features

Charging Capacity	Max 32Amp (208/240Vrms)
Input Plug	NEMA14-50
Output Connector Type	SAE J1772 (Level 2)
Output Power	7.7kW (240Vrm/32Arms)
Temperature Range	-30°C to +50°C
Moisture (non-condensing)	Max. 95%
Information Status	LED Indication/DLCD Display
LCD Display	Voltage, Current, Power, Kilowatt Hour, Time etc.
Timer Delay Setting	Up to 8 hours Max
GFCI Protection Action Current	≤ 5.0 mA rms

Physical Properties

Designed According to	UL 2594, UL2231 SAE J1772 level II, NEC 625
EMC	FCC part 15 Class B
Enclosure	NEMA 4
Dimensions (LxWxH)	11.8" x 5.5" x 4.4" (300 x 140 x 112mm)
Weight (Including Cable)	Max: 11 lb (5.0kg)
Mouting	Wall or Pole
Standard Colors	Attention Orange or Clean Green
Output Cable Length	18' (5.5 M)

SAE J1772 COMPLIANT ELECTRIC VEHICLES



- Nissan Leaf
- Chevy Bolt
- BMW i3/i8
- Ford Fusion Energi
- Mitsubishi i-MiEV
- Volkswagen eGolf
- Fiat 500e
- Tesla Model 3/S/X (with adapter)
- And Others

TECHNICAL SUPPORT

Sit amet, consec tetuer adipiscing elit, sed diam nonummy nibh euismod tincidunt ut laoreet dolore magna aliquam.

ZERO DOWNTIME

Ut wisi enim ad minim veniam, quis nostrud exerci tation ullamcorper.Et iusto odio dignissim qui blandit praeseptatum zzril delenit augue duis dolore te feugait nulla adipiscing elit, sed diam nonummy nibh.

TURNKEY SOLUTIONS

Tincidunt ut laoreet dolore magna aliquam erat volut pat.Ut wisi enim ad minim veniam,quis exerci tation ullamcorper cipit lobortis nisl ut aliquip ex.

带牵引器立柱
COLUMN WITH TRACTOR



美规插头系列
US PLUG SERIES

NEMA 6-50P



FSP-2-POLE 3-WIRE PLUG

10/3
SPT-3/ST/STW/STOW/SJTOW
8/2+10/1
SRDT

NEMA 6-50P



FSP-2-POLE 3-WIRE PLUG

14/3, 12/3, 10/3
SPT-3/SJ/SJO/SJOW/SJ00/SJ00W/SJT/SJTW/SJTO/SJTOW/
SJTO0/SJT00W/S/SO/SOW/S00/S00W/ST/STW/STO/STOW/
ST00/ST00W/SJW/SW
8/2+10/1
S/SO/SOW/S00/S00W/ST/STW/STO/STOW/ST00/ST00W/SW

NEMA 6-50P



FSP-2-POLE 3-WIRE PLUG

12/3, 10/3
SJT/SJTO/SJT00/SJTW/SJTOW/SJT00W/ST/STO/ST00/STW/STOW/
ST00W/SO/S00/SOW/S00W
8/3, 8/2+10/1, 6/2+8/1, 6/3
ST/STO/ST00/STW/STOW/ST00W/SO/S00/SOW/S00W

NEMA 14-50P



FSP-3-POLE 4-WIRE PLUG

10/4 ST/STW/STOW/ST00W/SJTOW
8/2+10/2, 6/2+8/2 SRDT; 8/2+10/2, 6/2+8/2 DRT

NEMA 14-50P



FSP-3-POLE 4-WIRE PLUG

8/2+10/2 SRDT/DRT
6/2+8/2 SRDT/DRT

电源线系列
POWER CORD SERIES



美标电源线 US POWER CORD
梅花公座+梅花母座 IEC-C5 TO IEC-C6



美标电源线 US POWER CORD
3pin+品字尾 US 3-PIN TO IEC-C13



美标电源线 US POWER CORD
3pin+梅花尾 US 3-PIN TO IEC-C5



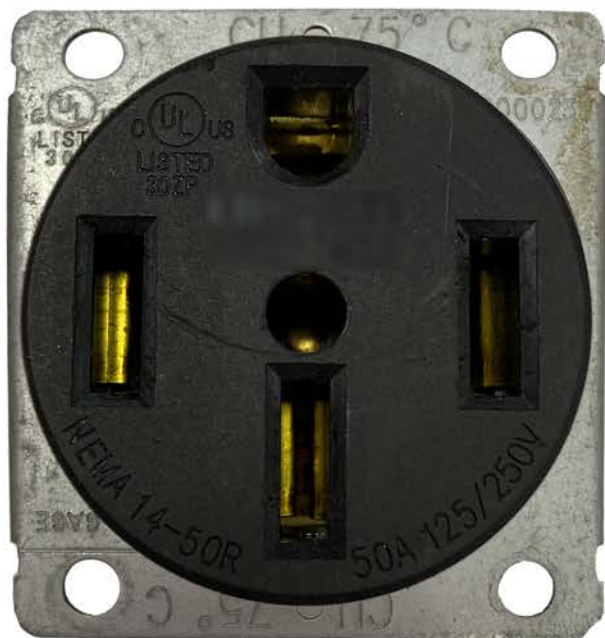
美标电源线 US POWER CORD
梅花公座+品字母座 IEC-C6 TO IEC-C13



美标电源线 US POWER CORD
3pin+小梅花尾 US 3-PIN TO IEC-C6

插座系列
SOCKET SERIES

NEMA 14-50R



50A 125/250V

NEMA 6-50R



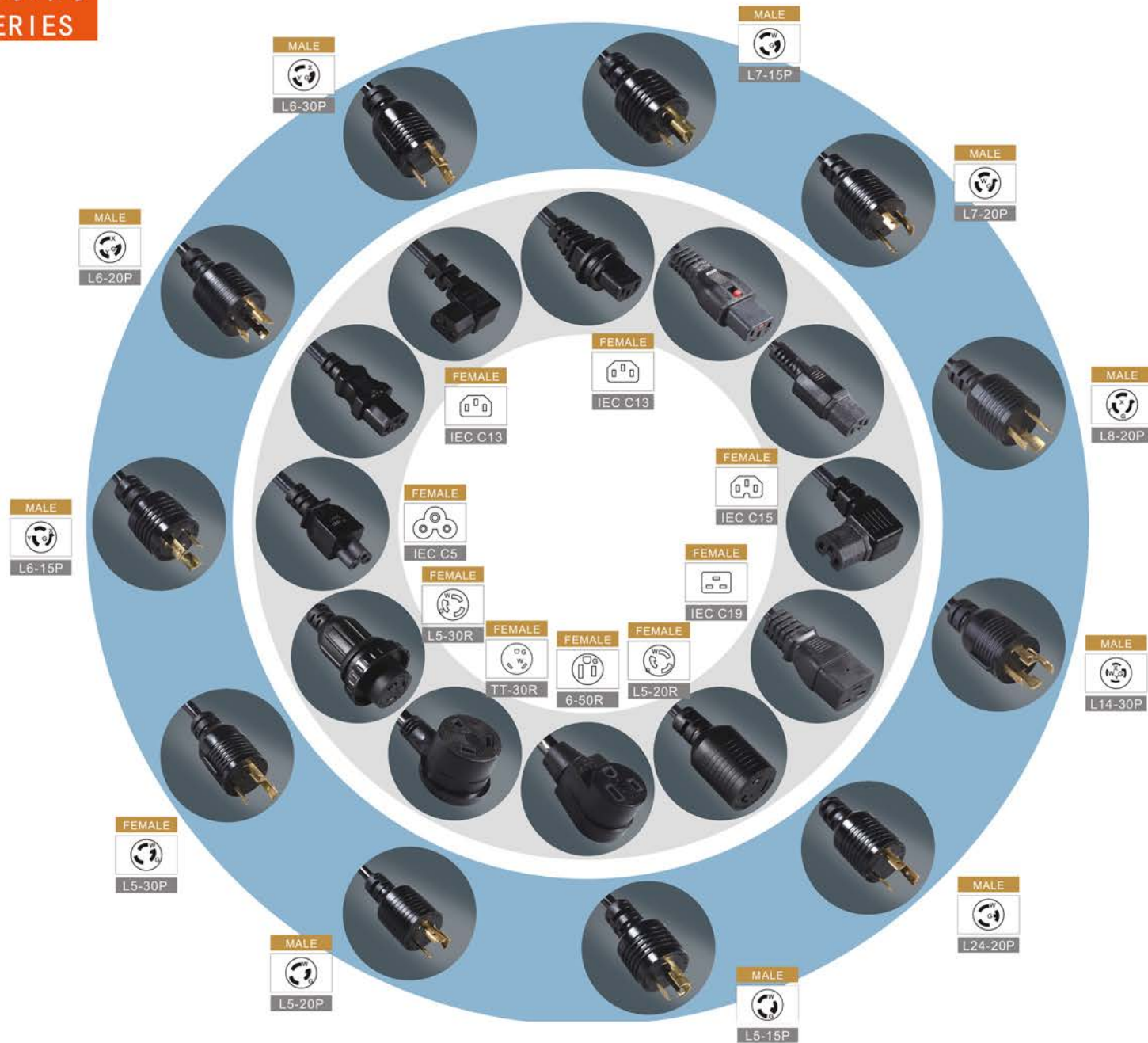
FSP-VVS-263 40A 250V-

STW 3*8AWG 105°C

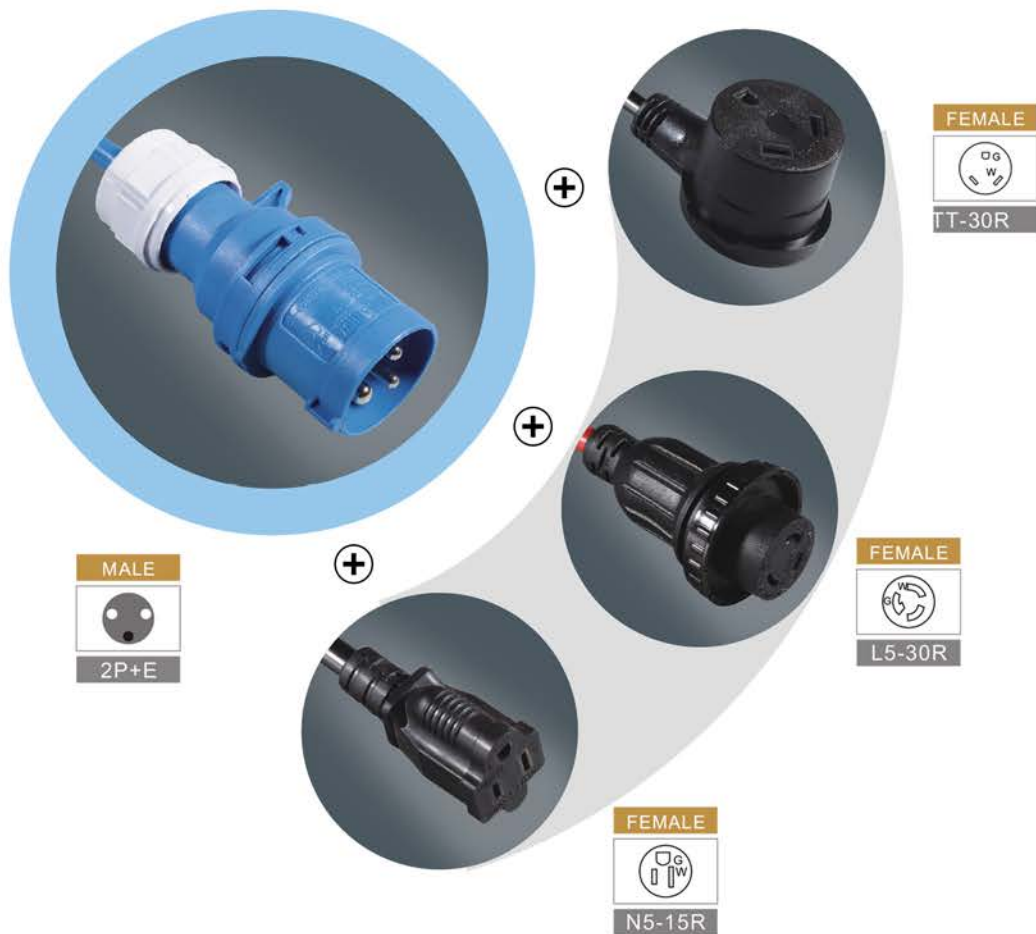
美国转换器系列
US ADAPTERS SERIES



美国转换器系列
US ADAPTERS SERIES



美国转换器系列 US ADAPTERS SERIES



美国转换器系列
US ADAPTERS SERIES



FEMALE

N14-30R



FEMALE

N14-50R



MALE

L6-30P



MALE

N5-15P



MALE

N14-30P



MALE

N10-30P



CABLE

- STW 3*8AWG
- STW 4*8AWG
- STW 3*10AWG
- STW 3*8AWG+10AWG

转换器系列
ADAPTERS SERIES



FSP-XN650P/N1450R-A
NEMA 6-50P TO 14-50R



FSP-XH-A03215 英规3-pin转品字尾
UK 3-PIN PLUG TO IEC-C13



英规3-PIN转品字尾
UK 3-PIN PLUG TO IEC-C13



FSP-XN1450P/N650R-A
NEMA 14-50P PLUG TO 6-50R



FSP-XH-A20 欧规转品字尾
Europe 3-PIN PLUG TO IEC-C13



美标3插转品字尾
US 3-PIN PLUG TO IEC-C13

转换器系列
ADAPTERS SERIES



中规梅花尾
China 3-PIN PLUG TO IEC-C15



中规品字尾
China 2-PIN PLUG TO IEC-C13



美规梅花尾
US 3-PIN PLUG TO IEC-C05



美规品字尾
US 3-PIN PLUG TO IEC-C13

标准工业接头

STANDARD INDUSTRIAL PRODUCTS

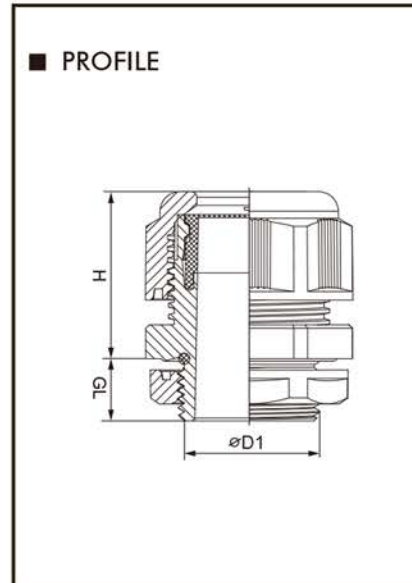
MG型尼龙电缆固定头
MG-TYPE NYLON CABLE GLANDS

→ MG



材料:	采用UL认可的尼龙材料	Material:	PA (NYLON), UL 94 V-2
防水圈:	丁腈橡胶 (可选EPDM, 硅橡胶, TPV等)	Hermetic seal:	NBR (optional material EPDM, Silicone Rubber, TPV)
垫片:	EPDM (可选硅橡胶, TPV, 氟橡胶等)	Washer:	EPDM (optional material, Silicone Rubber, TPV, FPM)
工作温度:	-40°C至100°C	Working temperature:	-40°C to 100°C
颜色种类:	灰色、黑色, 其他颜色可定做	Color:	Grey(RAL7035), Black(RAL9005), other colors customized.
材料种类:	V0或F1可定做	Material options:	V0, or F1 can be offered upon request.

如需其他材料或者颜色, 请垂询! Other material or Colors upon request.
O型圈默认预装! All O rings are pre-assembled as standard.



Thread øD1	mm	H mm	GL mm	mm	Mode No. RAL7035●
MG16	5-10	25	15	22	FSP-MG1610
MG16	3-7	25	15	22	FSP-MG1607
MG20	10-14	28	15	27	FSP-MG2014
MG20	7-12	28	15	27	FSP-MG2012
MG25	13-18	31	15	33	FSP-MG2518
MG25	9-16	31	15	33	FSP-MG2516
MG32	18-25	39	15	42	FSP-MG3225
MG32	13-20	39	15	42	FSP-MG3220
MG63	37-44	49	24	68	FSP-MG6344
MG63	29-35	49	24	68	FSP-MG6335



标准工业接头

STANDARD INDUSTRIAL PRODUCTS

M型扁孔金属电缆固定头

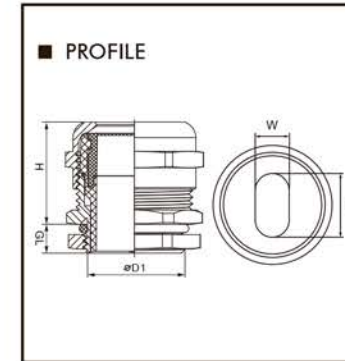
M-TYPE FLAT HOLE METAL CABLE GLANDS

→ M

CE IP68 RoHS REACH

材料:	鍍銀黃銅	Material:	Nickel-plated brass
固定連接組件:	採用UL認可的尼龍材料	Fixture pack:	PA (NYLON), UL 94 V-2
防水圈:	丁腈橡膠 (可選EPDM, 硅橡膠, TPV等)	Hermetic seal:	NBR (optional material EPDM, Silicone Rubber, TPV)
O型圈:	EPDM (可選硅橡膠, TPV, 氟橡膠等)	O-Ring:	EPDM (optional material, Silicone Rubber, TPV, FPM)
工作溫度:	-40°C至100°C	Working temperature:	-40°C to 100°C
孔數:	可根據要求定做	Number of holes:	Could be customized.

如需其他材料, 請垂詢! Other material upon request.
O型圈默認預裝! All O rings are pre-assembled as standard.



No. of Holes	Thread ØD1	No. of Holes X W*L mm	H mm	GL mm	mm	Mode No.
1	M20BX1.5	1X(6.6*14)	24	6	24	FSP-M20BRR-H1- (6.6*14)
1	M25X1.5	1X (7.2*13.0)	25	7	30	FSP-M25BR-H1- (7.2*13.0)
1	M25X1.5	1X (8.0*15.0)	25	7	30	FSP-M25BR-H1- (8.0*15.0)
1	M25X1.5	1X (9.6*18.2)	25	7	30	FSP-M25BR-H1- (9.6*18.2)
1	M32X1.5	1X (11.0*22.5)	31	8	40	FSP-M32BR-H1- (11.0*22.5)
2	M25X1.5	2X (Φ8.5+7*10)	25	7	30	FSP-M25BR-H2- (Φ8.5+5.0*8.6)
2	M25X1.5	2X (5.0*8.6)	25	7	30	FSP-M25BR-H2- (5.0*8.6)
2	M25X1.5	2X (6.2*11.5)	25	7	30	FSP-M25BR-H2- (6.2*11.5)

M加长型扁孔金属电缆固定头

M-LENGTH FLAT HOLE METAL CABLE GLANDS

→ M-Length

CE IP68 RoHS REACH

No. of Holes	Thread ØD1	No. of Holes X W*L mm	H mm	GL mm	mm	Mode No.
1	M20BX1.5	1X(6.6*14)	24	10	24	FSP-M20BRL-H1- (6.6*14)
1	M25X1.5	1X (7.2*13.0)	25	12	30	FSP-M25BRL-H1- (7.2*13.0)
1	M25X1.5	1X (8.0*15.0)	25	12	30	FSP-M25BRL-H1- (8.0*15.0)
1	M25X1.5	1X (9.6*18.2)	25	12	30	FSP-M25BRL-H1- (9.6*18.2)
1	M32X1.5	1X (11.0*22.5)	31	12	40	FSP-M32BRL-H1- (11.0*22.5)
2	M25X1.5	2X (Φ8.5+7*10)	25	12	30	FSP-M25BRL-H2- (Φ8.5+5.0*8.6)
2	M25X1.5	2X (5.0*8.6)	25	12	30	FSP-M25BRL-H2- (5.0*8.6)
2	M25X1.5	2X (6.2*11.5)	25	12	30	FSP-M25BRL-H2- (6.2*11.5)



标准工业接头

STANDARD INDUSTRIAL PRODUCTS

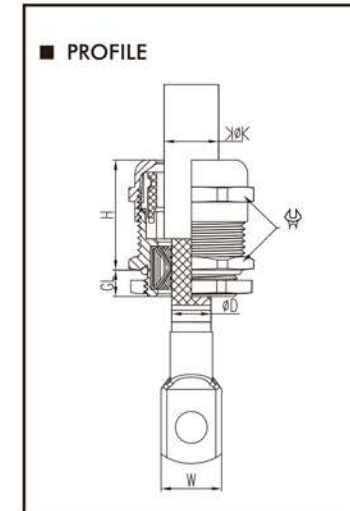
M型大锁紧范围屏蔽金属电缆固定头 S型/新能源汽车专用
 M-TYPE WIDE CLAMPING RANGE EMC GLANDS-SPRING TYPE/NEV ONLY

→ M CE IP68 RoHS REACH

材料: 镀镍黄铜	Material: Nickel-plated brass
弹簧材料: 不锈钢	Spring: Stainless steel
密封圈: 硅橡胶	Seal: Silicone Rubber
O型圈: 硅橡胶	O-Ring: Silicone Rubber
工作温度: -40°C至125°C	Working temperature: -40°C to 100°C



Thread ØD1	Cable mm ²	Øk mm	φD mm	H mm	GL mm	W mm	Mode No.
M 25 x 1.5	25	12-15	9-14	27	7	30	FSP-M2515BR-EMC-S-25
M 25 x 1.5	35	12-15	11-15	27	7	30	FSP-M2515BR-EMC-S-35
M 25 x 1.5	50	15-18	13-16	27	7	30	FSP-M2518BR-EMC-S-50
M 32 x 1.5	50	16-18	13-15	26	8	34	FSP-M3218BR-EMC-S-50
M 32 x 1.5	70	16-20	15.5-20	26.5	8	36	FSP-M3220BR-EMC-S-70



标准工业接头

STANDARD INDUSTRIAL PRODUCTS

M型多孔金属电缆固定头

M-TYPE POROUS METAL CABLE GLANDS

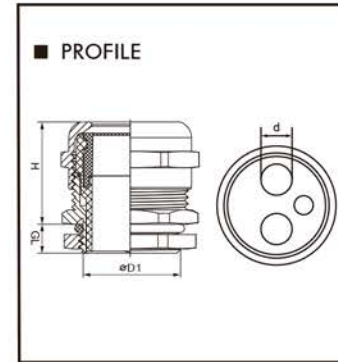
→ M

CE IP68 RoHS REACH

材料:	鍍銀黃銅	Material:	Nickel-plated brass
固定連接組件:	採用UL認可的尼龍材料	Fixture pack:	PA (NYLON), UL 94 V-2
防水圈:	丁腈橡膠 (可選EPDM, 硅橡膠, TPV等)	Hermetic seal:	NBR (optional material EPDM, Silicone Rubber, TPV)
O型圈:	EPDM (可選硅橡膠, TPV, 氟橡膠等)	O-Ring:	EPDM (optional material, Silicone Rubber, TPV, FPM)
工作溫度:	-40°C至100°C	Working temperature:	-40°C to 100°C
孔數:	可根據要求定做	Number of holes:	Could be customized.

如需其他材料, 請垂詢! Other material upon request.

O型圈默認預裝! All O rings are pre-assembled as standard.



No. of Holes	Thread ØD1	No. of Holes X d mm	H mm	GL mm	mm	Mode No.
1	M20SX1.5	1X5	23	6	22	FSP-M20SBR-H1-5
1	M20SX1.5	1X8	23	6	22	FSP-M20SBR-H1-8
1	M20BX1.5	1X7.5	24	6	24	FSP-M20BBR-H1-7.5
1	M20BX1.5	1X9	24	6	24	FSP-M20BBR-H1-9
1	M25X1.5	1X7.5	25	7	30	FSP-M25BR-H1-7.5
1	M25X1.5	1X10	25	7	30	FSP-M25BR-H1-10
1	M25X1.5	1X14.5	25	7	30	FSP-M25BR-H1-14.5
1	M25X1.5	1X15	25	7	30	FSP-M25BR-H1-15
1	M40X1.5	1X33	37	8	50	FSP-M40BR-H1-33
2	M16SX1.5	2X3	21	6	17/19	FSP-M16SBR-H2-3
2	M16BX1.5	2X4	22	6	20	FSP-M16BBR-H2-4
2	M20SX1.5	2X5	23	6	22	FSP-M20SBR-H2-5
2	M20BX1.5	2X6.7	24	6	24	FSP-M20BBR-H2-6.7
2	M25X1.5	2X2.8	25	7	30	FSP-M25BR-H2-2.8
2	M25X1.5	2X4.4	25	7	30	FSP-M25BR-H2-4.4
2	M25X1.5	2X5.7	25	7	30	FSP-M25BR-H2-5.7
2	M25X1.5	5+8	25	7	30	FSP-M25BR-H2-(5+8)
2	M25X1.5	2X6	25	7	30	FSP-M25BR-H2-6
2	M25X1.5	2X6.3	25	7	30	FSP-M25BR-H2-6.3
2	M25X1.5	2X8	25	7	30	FSP-M25BR-H2-8
2	M32X1.5	2X4.5	31	8	40	FSP-M32BR-H2-4.5
3	M12X1.5	3X1.5	19	6.5	14	FSP-M12BR-H3-1.5
3	M16SX1.5	3X3	21	6	17/19	FSP-M16SBR-H3-3

No. of Holes	Thread ØD1	No. of Holes X d mm	H mm	GL mm	mm	Mode No.
3	M20SX1.5	3X4	23	6	22	FSP-M20SBR-H3-4
3	M25X1.5	3X4.5	25	7	30	FSP-M25BR-H3-4.5
3	M25X1.5	3X6	25	7	30	FSP-M25BR-H3-6
3	M25X1.5	3X7	25	7	30	FSP-M25BR-H3-7
3	M32X1.5	1X6.7+2X10.2	31	8	40	FSP-M32BR-H3-(6.7+10.2)
3	M32X1.5	1X7.6+2X11.7	31	8	40	FSP-M32BR-H3-(7.6+11.7)
3	M63X1.5	3X6.5	38	10	64/68	FSP-M63BR-H3-6.5
4	M16SX1.5	4X2	21	6	17/19	FSP-M16SBR-H4-2
4	M25X1.5	4X5	25	7	30	FSP-M25BR-H4-5
4	M25X1.5	4X6	25	7	30	FSP-M25BR-H4-6
4	M32X1.5	4X7	31	8	40	FSP-M32BR-H4-7
4	M32X1.5	2X5+2X8	31	8	40	FSP-M32BR-H4-(2X5+2X8)
4	M32X1.5	4X8	31	8	40	FSP-M32BR-H4-8
4	M40X1.5	4X10	37	8	50	FSP-M40BR-H4-10
5	M25X1.5	5X4	25	7	30	FSP-M25BR-H5-4
6	M20SX1.5	6X3.2	23	6	22	FSP-M20SBR-H6-3.2
6	M32X1.5	6X6	31	8	40	FSP-M32BR-H6-6
8	M32X1.5	8X5	31	8	40	FSP-M32BR-H8-5
8	M40X1.5	8X6	37	8	50	FSP-M40BR-H8-6
9	M50X1.5	9X8	37	9	57	FSP-M50BR-H9-8
25	M50X1.5	25X5	37	9	57	FSP-M50BR-H25-5

标准工业接头

STANDARD INDUSTRIAL PRODUCTS

M型防爆尼龙电缆固定头

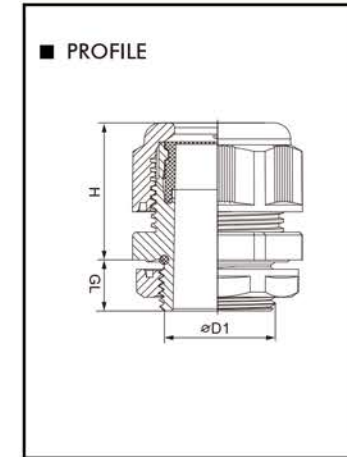
M-TYPE EX NYLON CABLE GLANDS

→ M Ex RoHS IP68 CE REACH

材料:	采用UL认可的尼龙材料	Material:	PA (NYLON), UL 94 V-2
防水圈:	硅橡胶	Sealing:	Silicone Rubber
O型圈:	硅橡胶	O Ring:	Silicone Rubber
工作温度:	-20-80°C	Working temperature:	-20°C to 80°C
防护等级:	IP68	Protection Class:	IP68
阻燃等级:	V2 (UL94), 不含镉素、磷、铜, 通过RoHS测试, 抗UV, 通过抗老化测试	Flammability rating:	V2 (UL94)
防爆等级:	Ex e IIC Gb/ Ex tD A21 IP68	Other Features:	Halogen-Free, not containing any Cadmium Phosphorus. UV-Resistance, Anti-aging
		Marking:	Ex e II C Gb/ Ex tD A21 IP68



Thread øD1	ØK mm	H mm	GL mm	mm	Mode No. RAL7035 ●	Mode No. RAL9005 ○
NCG-M12X1.5	3-6.5	21	8	15	FSP-Ex-M1207	FSP-Ex-M1207B
NCG-M16X1.5	6-8	22	8	19	FSP-Ex-M1608	FSP-Ex-M1608B
NCG-M16X1.5	5-10	25	8	22	FSP-Ex-M1610	FSP-Ex-M1610B
NCG-M20X1.5	6-12	27	9	24	FSP-Ex-M2012	FSP-Ex-M2012B
NCG-M20X1.5	10-14	28	9	27	FSP-Ex-M2014	FSP-Ex-M2014B
NCG-M25X1.5	13-18	31	11	33	FSP-Ex-M2518	FSP-Ex-M2518B
NCG-M32X1.5	18-25	37	11	42	FSP-Ex-M3225	FSP-Ex-M3225B
NCG-M40X1.5	22-32	48	13	53	FSP-Ex-M4032	FSP-Ex-M4032B
NCG-M50X1.5	32-38	49	13	60	FSP-Ex-M5038	FSP-Ex-M5038B
NCG-M63X1.5	37-44	49	14	65/68	FSP-Ex-M6344	FSP-Ex-M6344B




标准工业接头

STANDARD INDUSTRIAL PRODUCTS

M型金属电缆固定头

M-TYPE METAL CABLE GLANDS

→ M



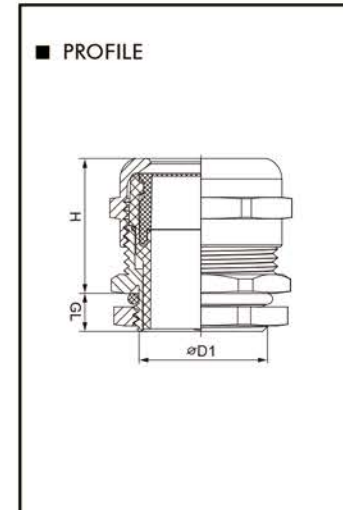


材料:	鍍鎳黃銅	Material:	Nickel-plated brass
固定連接組件:	採用UL認可的尼龍材料	Fixture pack:	PA (NYLON), UL 94 V-2
防水圈:	丁腈橡膠 (可選EPDM, 硅橡膠, TPV等)	Hermetic seal:	NBR (optional material EPDM, Silicone Rubber, TPV)
O型圈:	EPDM (可選硅橡膠, TPV, 氟橡膠等)	O-Ring:	EPDM (optional material, Silicone Rubber, TPV, FPM)
工作溫度:	-40°C至100°C	Working temperature:	-40°C to 100°C

如需其他材料, 請垂詢! Other material upon request.
 O型圈默認預裝! All O rings are pre-assembled as standard.



Thread ØD1	Øk mm	H mm	GL mm	 mm	Mode No.
M 12 x 1,5	3-6,5	19	6,5	14	FSP-M1207BR
M 12 x 1,5	2-5	19	6,5	14	FSP-M1205BR
M 16 x 1,5	4-8	21	6	17/19	FSP-M1608BR
M 16 x 1,5	2-6	21	6	17/19	FSP-M1606BR
M 16 x 1,5	5-10	22	6	20	FSP-M1610BR
M 20 x 1,5	6-12	23	6	22	FSP-M2012BR
M 20 x 1,5	5-9	23	6	22	FSP-M2009BR
M 20 x 1,5	10-14	24	6	24	FSP-M2014BR
M 25 x 1,5	13-18	25	7	30	FSP-M2518BR
M 25 x 1,5	9-16	25	7	30	FSP-M2516BR
M 32 x 1,5	18-25	31	8	40	FSP-M3225BR
M 32 x 1,5	13-20	31	8	40	FSP-M3220BR
M 40 x 1,5	22-32	37	8	50	FSP-M4032BR
M 40 x 1,5	20-26	37	8	50	FSP-M4026BR
M 50 x 1,5	32-38	37	9	57	FSP-M5038BR
M 50 x 1,5	25-31	37	9	57	FSP-M5031BR
M 63 x 1,5	37-44	38	10	64/68	FSP-M6344BR
M 63 x 1,5	29-35	38	10	64/68	FSP-M6335BR
★ 非常規螺紋 Non-Standard Thread					
★ M 18 x 1,5	5-10	22	6	20	FSP-M1810BR
★ M 18 x 1,5	3-7	22	6	20	FSP-M1807BR
★ M 22 x 1,5	10-14	24	6	24	FSP-M2214BR
★ M 22 x 1,5	7-12	24	6	24	FSP-M2212BR
★ M 27 x 1,5	13-18	25	7	30	FSP-M2718BR
★ M 27 x 1,5	9-16	25	7	30	FSP-M2716BR



标准工业接头

STANDARD INDUSTRIAL PRODUCTS

M型尼龙电缆固定头

M-TYPE NYLON CABLE GLANDS

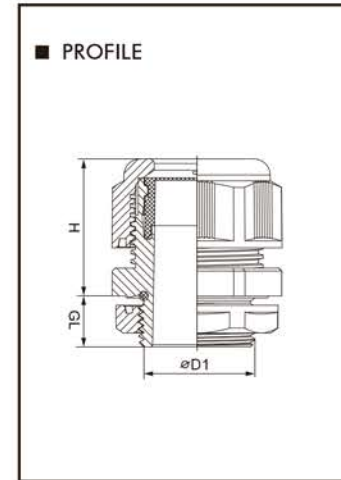
→ M



材料: 采用UL認可的尼龍材料	Material: PA (NYLON), UL 94 V-2
防水圈: 丁腈橡膠 (可選EPDM, 硅橡膠, TPV等)	Hermetic seal: NBR (optional material EPDM, Silicone Rubber, TPV)
O型圈: EPDM (可選硅橡膠, TPV, 氟橡膠等)	O-Ring: EPDM (optional material, Silicone Rubber, TPV, FPM)
工作溫度: -40°C至100°C	Working temperature: -40°C to 100°C
顏色種類: 灰色、黑色、 其他顏色可定做	Color: Grey(RAL7035), Black(RAL9005), other colors customized.
材料種類: V0或F1可定做	Material options: V0, or F1 can be offered upon request.

如需其他材料或者顏色, 請垂詢! Other material or Colors upon request.

O型圈默認預裝! All O rings are pre-assembled as standard.



Thread ØD1	mm	H mm	GL mm	mm	Mode No. RAL7035 ●	Mode No. RAL9005 ○
M 12 x 1,5	3-6,5	21	8	15	M1207	FSP-M1207B
M 12 x 1,5	2-5	21	8	15	M1205	FSP-M1205B
M 12 x 1,5	4-8	22	8	19	M1208	FSP-M1208B
M 16 x 1,5	4-8	22	8	19	M1608	FSP-M1608B
M 16 x 1,5	2-6	22	8	19	M1606	FSP-M1606B
M 16 x 1,5	5-10	25	8	22	M1610	FSP-M1610B
M 20 x 1,5	6-12	27	9	24	M2012	FSP-M2012B
M 20 x 1,5	5-9	27	9	24	M2009	FSP-M2009B
M 20 x 1,5	10-14	28	9	27	M2014	FSP-M2014B
M 25 x 1,5	13-18	31	11	33	M2518	FSP-M2518B
M 25 x 1,5	9-16	31	11	33	M2516	FSP-M2516B
M 25 x 1,5	18-25	39	11	42	M2525	FSP-M2525B
M 32 x 1,5	18-25	37	11	42	M3225	FSP-M3225B
M 32 x 1,5	13-20	37	11	42	M3220	FSP-M3220B
M 40 x 1,5	22-32	48	13	53	M4032	FSP-M4032B
M 40 x 1,5	20-26	48	13	53	M4026	FSP-M4026B

Thread ØD1	mm	H mm	GL mm	mm	Mode No. RAL7035 ●	Mode No. RAL9005 ○
M 40 x 1,5	23-33,5	48	13	53	M4033	FSP-M4033B
M 50 x 1,5	32-38	49	13	60	M5038	FSP-M5038B
M 50 x 1,5	25-31	49	13	60	M5031	FSP-M5031B
M 63 x 1,5	37-44	49	14	65/68	M6344	FSP-M6344B
M 63 x 1,5	29-35	49	14	65/68	M6335	FSP-M6335B
M 63 x 1,5	25-30,5	49	14	65/68	M6330	FSP-M6330B
M 63 x 1,5	30,5-40	49	14	65/68	M6340	FSP-M6340B
M 75 x 2	48-56	69	25	82	M7556	FSP-M7556B
M 75 x 2	38-56	69	25	82	M7547-T	FSP-M7547B-T
★非常規螺紋 Non-Standard Thread						
★ M 22 x 1,5	10-14	28	9	27	M2214	FSP-M2214B
★ M 24 x 1,5	10-14	28	11	27	M2414	FSP-M2414B
★ M 30 x 1,5	13-18	31	12	33	M3018	FSP-M3018B
★ M 30 x 1,5	18-25	37	12	42	M3025	FSP-M3025B

标准工业接头

STANDARD INDUSTRIAL PRODUCTS

M型屏蔽金属电缆固定头 S型
M-TYPE EMC METAL CABLE GLANDS-S TYPE

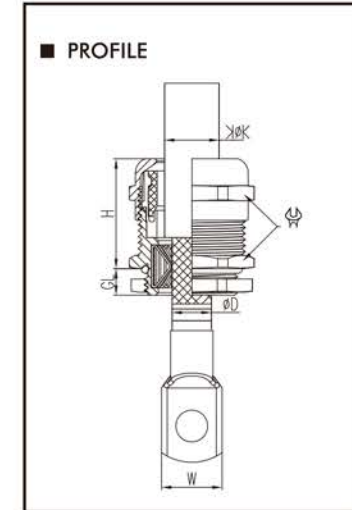
→ M



材料:	鍍鎳黃銅	Material:	Nickel-plated brass
彈簧材料:	不銹鋼	Spring:	Stainless steel
固定連接組件:	採用UL認可的尼龍材料	Fixture pack:	PA (NYLON), UL 94 V-2
防水圈:	丁腈橡膠, (可定制硅橡膠)	Hermetic seal:	NBR, (Silicone Upon Request)
O型圈:	耐候橡膠, (可定制硅橡膠)	O-Ring:	EPDM, (Silicone Upon Request)
工作溫度:	-40°C至100°C	Working temperature:	-40°C to 100°C



Thread ØD1	mm	ØD mm	H mm	GL mm	mm	W mm	Mode No.
M 12 x 1,5	3-6.5	3.5-4.5	19	6.5	14	6	FSP-M1207BR-EMC-S
M 12 x 1,5	2-5	3.5-4.5	19	6.5	14	6	FSP-M1205BR-EMC-S
M 16 x 1,5	4-8	3.5-5.5	21	6	17/19	8	FSP-M1608BR-EMC-S
M 16 x 1,5	2-6	3.5-5.5	21	6	17/19	8	FSP-M1606BR-EMC-S
M 16 x 1,5	5-10	3.5-5.5	22	6	20	9	FSP-M1610BR-EMC-S
M 20 x 1,5	6-12	6-11	23	6	22	12	FSP-M2012BR-EMC-S
M 20 x 1,5	5-9	6-11	23	6	22	12	FSP-M2009BR-EMC-S
M 20 x 1,5	10-14	6-11	24	6	24	13	FSP-M2014BR-EMC-S
M 25 x 1,5	13-18	9-14	29	7	30	17	FSP-M2518BR-EMC-S
M 25 x 1,5	9-16	9-14	29	7	30	17	FSP-M2516BR-EMC-S
M 32 x 1,5	18-25	16-19	31	8	40	23	FSP-M3225BR-EMC-S
M 32 x 1,5	13-20	16-19	31	8	40	23	FSP-M3220BR-EMC-S
M 40 x 1,5	22-32	19.5-24	37	8	50	30	FSP-M4032BR-EMC-S
M 40 x 1,5	20-26	19.5-24	37	8	50	30	FSP-M4026BR-EMC-S
M 50 x 1,5	32-38	27.5-33	37	9	57	37	FSP-M5038BR-EMC-S
M 50 x 1,5	25-31	27.5-33	37	9	57	37	FSP-M5031BR-EMC-S
M 63 x 1,5	37-44	31-35	38	10	64/68	44	FSP-M6344BR-EMC-S
M 63 x 1,5	29-35	31-35	38	10	64/68	44	FSP-M6335BR-EMC-S
M 75 x 1,5	48-56	46-53	40	15	81		FSP-M7556BR-EMC-S
M 75 x 1,5	41-48	46-53	40	15	81		FSP-M7548BR-EMC-S
M 85 x 2.0	62-70	60-67	42	15	95		FSP-M8570BR-EMC-S
M 85 x 2.0	54-64	60-67	42	15	95		FSP-M8564BR-EMC-S



标准工业接头

STANDARD INDUSTRIAL PRODUCTS

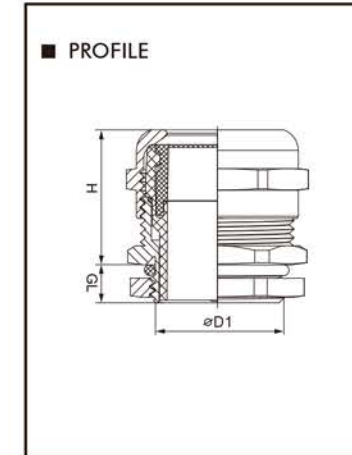
PG型防爆金属电缆固定头

PG-TYPE EX METAL CABLE GLANDS

→ PG



材料:	鍍鎳黃銅	Material:	NICKEL-PLATED BRASS
固定連接組件:	採用UL認可的尼龍材料	Clamping Insert:	PA (NYLON), UL 94 V-2
防水圈:	硅橡膠	Sealing:	Silicone Rubber
O型圈:	硅橡膠	O Ring:	Silicone Rubber
工作溫度:	-20-80°C	Working temperature:	-20°C to 80°C
防護等級:	IP68	Protection Class:	IP68
防爆等級:	Ex e IIC Gb/ Ex tD A21 IP68	Marking:	Ex e IIC Gb/ Ex tD A21 IP68



Thread øD1	mm	H mm	GL mm	mm	Mode No.
MCG-PG7	3-6.5	19	5	14	FSP-Ex-P0707BR
MCG-PG9	4-8	21	6	17	FSP-Ex-P0908BR
MCG-PG11	5-10	22	6	20	FSP-Ex-P1110BR
MCG-PG13.5	6-12	23	6.5	22	FSP-Ex-P13512BR
MCG-PG16	10-14	24	6.5	24	FSP-Ex-P1614BR
MCG-PG21	13-18	25	7	30	FSP-Ex-P2118BR
MCG-PG29	18-25	31	8	40	FSP-Ex-P2925BR
MCG-PG36	22-32	37	8	50	FSP-Ex-P3632BR
MCG-PG42	32-38	37	9	57	FSP-Ex-P4238BR
MCG-PG48	37-44	38	10	64	FSP-Ex-P4844BR



标准工业接头

STANDARD INDUSTRIAL PRODUCTS

PG型防爆尼龙电缆固定头

PG-TYPE EX NYLON CABLE GLANDS

→ PG

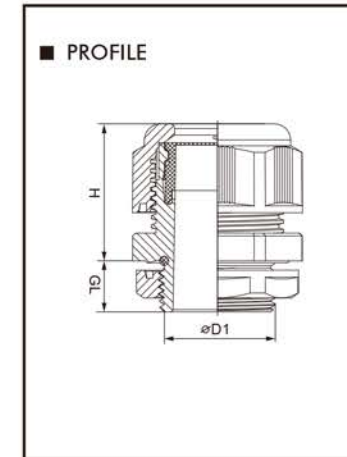





材料:	采用UL认可的尼龙材料	Material:	PA (NYLON), UL 94 V-2
防水圈:	硅橡胶	Sealing:	Silicone Rubber
O型圈:	硅橡胶	O Ring:	Silicone Rubber
工作温度:	-20-80°C	Working temperature:	-20°C to 80°C
防护等级:	IP68	Protection Class:	IP68
阻燃等级:	V2 (UL94), 不含卤素、磷、镉, 通过RoHS测试, 抗UV, 通过抗老化测试	Flammability rating:	V2 (UL94)
防爆等级:	Ex e II C Gb/ Ex tD A21 IP68	Other Features:	Halogen-Free, not containing any Cadmium Phosphorus. UV-Resistance, Anti-aging
		Marking:	Ex e II C Gb/ Ex tD A21 IP68



Thread øD1	mm	H mm	GL mm	mm	Mode No. RAL7035 ●	Mode No. RAL9005 ○
NCG-PG7	3-6.5	21	8	15	FSP-Ex-P0707	FSP-Ex-P0707B
NCG-PG9	6-8	22	8	19	FSP-Ex-P0908	FSP-Ex-P0908B
NCG-PG11	5-10	25	8	22	FSP-Ex-P1110	FSP-Ex-P1110B
NCG-PG13.5	6-12	27	9	24	FSP-Ex-P13512	FSP-Ex-P13512B
NCG-PG16	10-14	28	10	27	FSP-Ex-P1614	FSP-Ex-P1614B
NCG-PG21	13-18	31	11	33	FSP-Ex-P2118	FSP-Ex-P2118B
NCG-PG29	18-25	37	11	42	FSP-Ex-P2925	FSP-Ex-P2925B
NCG-PG36	22-32	48	13	53	FSP-Ex-P3632	FSP-Ex-P3632B
NCG-PG42	32-38	49	13	60	FSP-Ex-P4238	FSP-Ex-P4238B
NCG-PG48	37-44	49	14	65	FSP-Ex-P4844	FSP-Ex-P4844B



标准工业接头

STANDARD INDUSTRIAL PRODUCTS

PG型金属电缆固定头

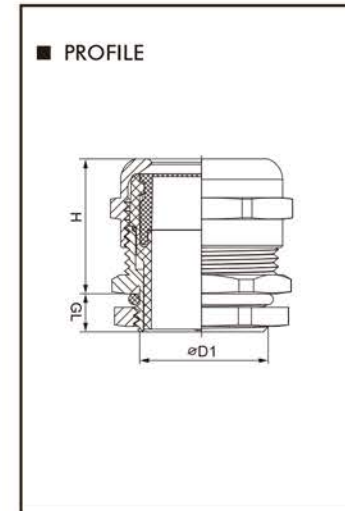
PG-TYPE METAL CABLE GLANDS

→ PG

UL	PA	CE	IP68/69K	RoHS	REACH
----	----	----	----------	------	-------

材料: 鍍銀黃銅 Material: Nickel-plated brass
 固定連接組件: 採用UL認可的尼龍材料 Fixture pack: PA (NYLON), UL 94 V-2
 防水圈: 丁腈橡膠 (可選EPDM, 硅橡膠, TPV等) Hermetic seal: NBR (optional material EPDM, Silicone Rubber, TPV)
 O型圈: EPDM (可選硅橡膠, TPV, 氟橡膠等) O-Ring: EPDM (optional material, Silicone Rubber, TPV, FPM)
 工作溫度: -40°C至100°C Working temperature: -40°C to 100°C

如需其他材料, 請垂詢! Other material upon request.
 O型圈默認預裝! All O rings are pre-assembled as standard.



Thread øD1	Øk mm	H mm	GL mm	mm	Mode No.
PG 7	3-6,5	19	5	14	FSP-P0707BR
PG 7	2-5	19	5	14	FSP-P0705BR
PG 9	4-8	21	6	17	FSP-P0908BR
PG 9	2-6	21	6	17	FSP-P0906BR
PG 11	5-10	22	6	20	FSP-P1110BR
PG 11	3-7	22	6	20	FSP-P1107BR
PG 13,5	6-12	23	6,5	22	FSP-P13512BR
PG 13,5	5-9	23	6,5	22	FSP-P13509BR
PG 16	10-14	24	6,5	24	FSP-P1614BR
PG 16	7-12	24	6,5	24	FSP-P1612BR
PG 21	13-18	25	7	30	FSP-P2118BR
PG 21	9-16	25	7	30	FSP-P2116BR
PG 29	18-25	31	8	40	FSP-P2925BR
PG 29	13-20	31	8	40	FSP-P2920BR
PG 36	22-32	37	8	50	FSP-P3632BR
PG 36	20-26	37	8	50	FSP-P3626BR
PG 42	32-38	37	9	57	FSP-P4238BR
PG 42	25-31	37	9	57	FSP-P4231BR
PG 48	37-44	38	10	64	FSP-P4844BR
PG 48	29-35	38	10	64	FSP-P4835BR



标准工业接头

STANDARD INDUSTRIAL PRODUCTS

PG型尼龙电缆固定头

PG-TYPE NYLON CABLE GLANDS

→ PG

UL	VDE	PG	CE	IP68/IP69K	RoHS	REACH
----	-----	----	----	------------	------	-------

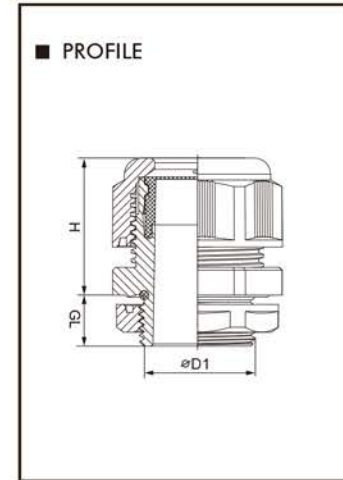
材料: 采用UL认可的尼龙材料
 防水圈: 丁腈橡胶 (可选EPDM, 硅橡胶, TPV等)
 O型圈: EPDM (可选硅橡胶, TPV, 氟橡胶等)
 工作温度: -40°C至100°C
 颜色种类: 灰色、黑色、其他颜色可定做
 材料种类: V0或F1可定做

Material: PA (NYLON), UL 94 V-2
 Hermetic seal: NBR (optional material EPDM, Silicone Rubber, TPV)
 O-Ring: EPDM (optional material, Silicone Rubber, TPV, FPM)
 Working temperature: -40°C to 100°C
 Color: Grey(RAL7035), Black(RAL9005), other colors customized.
 Material options: V0, or F1 can be offered upon request.

如需其他材料或者颜色, 请垂询! Other material or Colors upon request.
 O型圈默认预装! All O rings are pre-assembled as standard.



Thread øD1	Øk mm	H mm	GL mm	mm	Mode No. RAL7035
PG 7	3-6,5	21	8	15	FSP-P0707
PG 7	2-5	21	8	15	FSP-P0705
PG 9	4-8	22	8	19	FSP-P0908
PG 9	2-6	22	8	19	FSP-P0906
PG 11	5-10	25	8	22	FSP-P1110
PG 11	3-7	25	8	22	FSP-P1107
PG 13,5	6-12	27	9	24	FSP-P13512
PG 13,5	5-9	27	9	24	FSP-P13509
PG 16	10-14	28	10	27	FSP-P1614
PG 16	7-12	28	10	27	FSP-P1612
PG 21	13-18	31	11	33	FSP-P2118
PG 21	9-16	31	11	33	FSP-P2116
PG 29	18-25	37	11	42	FSP-P2925
PG 29	13-20	37	11	42	FSP-P2920
PG 36	22-32	48	13	53	FSP-P3632
PG 36	20-26	48	13	53	FSP-P3626
PG 42	32-38	49	13	60	FSP-P4238
PG 42	25-31	49	13	60	FSP-P4231
PG 48	37-44	49	14	65	FSP-P4844
PG 48	29-35	49	14	65	FSP-P4835
PG 48	25-30,5	49	14	65	FSP-P4830
PG 48	30,5-40	49	14	65	FSP-P4840
PG 48	40-50	52	14	70	FSP-P4850
PG 48	30-50	52	14	70	FSP-P4840-T
★ 非常規螺紋 Non-Standard Thread					
★ PG 19	12-15	33	11	27	FSP-P1915-HW
★ PG 19	12-15	30	12	27	FSP-P1915-DH



标准工业接头

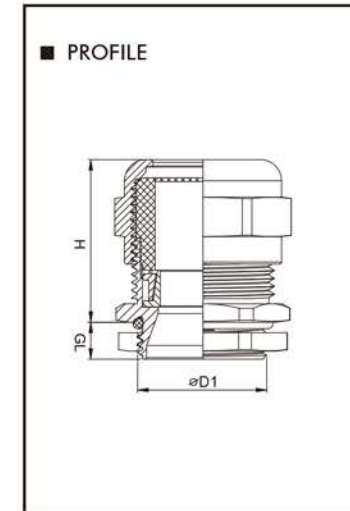
STANDARD INDUSTRIAL PRODUCTS

PG型屏蔽金属电缆固定头 R型

PG TYPE EMC METLA CABLE GLANDS-R TYPE

→ PG CE IP68 RoHS REACH

材料:	鍍銀黃銅	Material:	Nickel-plated brass
防水圈:	丁腈橡膠、(可定制耐候橡膠)	Hermetic seal:	NBR、(EPDM upon request)
O型圈:	耐候橡膠、(可定制硅橡膠)	O-Ring:	EPDM、(Silicone upon request)
工作溫度:	-40°C至100°C	Working temperature:	-40°C to 100°C



Thread øD1	$\varnothing k$ mm	H mm	GL mm	$\varnothing n$ mm	Mode No.
PG7	3-6.5	23	6.5	17	FSP-P707BR-EMC-R
PG7	2-5	23	6.5	17	FSP-P705BR-EMC-R
PG9	4-8	25	6	20	FSP-P908BR-EMC-R
PG9	2-6	25	6	20	FSP-P906BR-EMC-R
PG11	5-10	25	6	20	FSP-P1110BR-EMC-R
PG11	3-7	25	6	20	FSP-P1107BR-EMC-R
PG13.5	6-12	28	6	24	FSP-P13512BR-EMC-R
PG13.5	5-9	28	6	24	FSP-P13509BR-EMC-R
PG16	10-14	28	6	24	FSP-P1614BR-EMC-R
PG16	7-12	28	6	24	FSP-P1612BR-EMC-R
PG21	13-18	30	7	30	FSP-P2118BR-EMC-R
PG21	9-16	30	7	30	FSP-P2116BR-EMC-R
PG29	18-21	36	8	34	FSP-P2921BR-EMC-R
PG29	13-20	36	8	34	FSP-P2920BR-EMC-R
PG36	20-28	39	8	50	FSP-P3628BR-EMC-R
PG36	18-26	39	8	50	FSP-P3626BR-EMC-R
PG42	30-35.5	41	9	57	FSP-P4235BR-EMC-R
PG42	25-31	41	9	57	FSP-P4231BR-EMC-R



标准工业接头

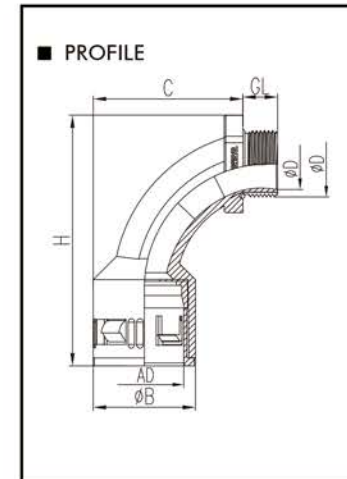
STANDARD INDUSTRIAL PRODUCTS

M型90尼龙软管快速接头

M-TYPE 90DEGREE ELBOW CONDUIT FITTING

→ M CE RoHS REACH IP68

材料: 采用UL认可的尼龙材料	Material: PA (NYLON), UL 94 V-2
防水圈: 丁腈橡胶, (可定制耐候橡胶)	Hermetic seal: NBR, (EPDM Upon Request)
垫片: 耐候橡胶	O-Ring: EPDM
工作温度: -40°C至125°C	Working temperature: -40°C to 125°C
颜色种类: 灰色、黑色, 其他颜色可定做	Color: Grey(RAL7035), Black(RAL9005), other colors customized.
防护等级: IP68	Protecti on Class: IP68
材料种类: V0或F1可定做	Material options: V0, or F1 can be offered upon request.



Thread ØD1	ØD mm	AD mm	GL mm	C mm	H mm	ØB mm	Mode No. RAL7035 ●	Mode No. RAL9005 ○
M16X1.5	10	15.8	13	34	22	66	FSP-BST-RM16-15.8	FSP-BST-RM16B-15.8
M20X1.5	14	21.2	13	37	24	72	FSP-BST-RM20-21.2	FSP-BST-RM20B-21.2
M25X1.5	17.5	21.2	13	37	28	74	FSP-BST-RM25-21.2	FSP-BST-RM25B-21.2
M25X1.5	17.5	28.5	13	56	32	93	FSP-BST-RM25-28.5	FSP-BST-RM25B-28.5
M32X1.5	23	34.5	15	62	42	112	FSP-BST-RM32-34.5	FSP-BST-RM32B-34.5
M40X1.5	30.5	42.5	15	66	50	116	FSP-BST-RM40-42.5	FSP-BST-RM40B-42.5



标准工业接头

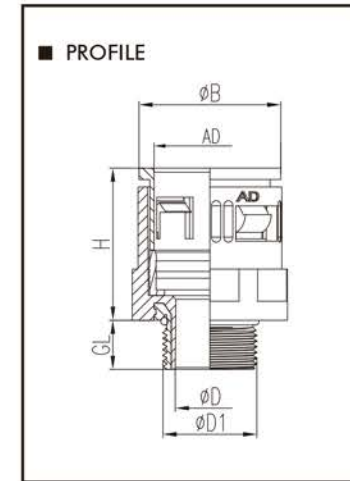
STANDARD INDUSTRIAL PRODUCTS

M型金属螺纹尼龙软管快速接头

M-TYPE FAST-FIT STRAIGHT CONDUIT FITTINGS WITH METAL EXTERNAL THREAD

→ M CE RoHS REACH IP68

材料:	采用UL认可的尼龙材料/黄铜镀镍	Material:	PA (NYLON), UL 94 V-2 / NICKEL-PLATED BRASS
防水圈:	丁腈橡胶, (可定制耐候橡胶)	Hermetic seal:	NBR, (EPDM Upon Request)
O型圈:	耐候橡胶	O-Ring:	EPDM
工作温度:	-40°C至125°C	Working temperature:	-40°C to 125°C
颜色种类:	灰色、黑色、 其他颜色可定做	Color:	Grey(RAL7035), Black(RAL9005), other colors customized.
防护等级:	IP68	Protection Class:	IP68
材料种类:	V0或F1可定做	Material options:	V0, or F1 can be offered upon request.



Thread $\phi D1$	ϕD mm	AD mm	H mm	GL mm	ϕB mm	ϕ mm	Mode No.	
							RAL7035 ●	RAL9005 ○
M12X1.5	7	13	30	10	20	22	FSP-M12BR-13.0	FSP-M12BRB-13.0
M16X1.5	10	13	30	11.5	20	22	FSP-M16BR-13.0	FSP-M16BRB-13.0
M16X1.5	10	15.8	32	11.5	23	25	FSP-M16BR-15.8	FSP-M16BRB-15.8
M20X1.5	13	15.8	32	13	23	25	FSP-M20BR-15.8	FSP-M20BRB-15.8
M20X1.5	14	21.2	36	13	29.5	31	FSP-M20BR-21.2	FSP-M20BRB-21.2
M25X1.5	16	21.2	36	13	29.5	31	FSP-M25BR-21.2	FSP-M25BRB-21.2
M25X1.5	18	28.5	38	13	38	38	FSP-M25BR-28.5	FSP-M25BRB-28.5
M32X1.5	23	28.5	38	15	38	38	FSP-M32BR-28.5	FSP-M32BRB-28.5
M32X1.5	24	34.5	41	15	44	46	FSP-M32BR-34.5	FSP-M32BRB-34.5
M40X1.5	29	34.5	41	17	44	46	FSP-M40BR-34.5	FSP-M40BRB-34.5
M40X1.5	32	42.5	44	17	52	55	FSP-M40BR-42.5	FSP-M40BRB-42.5



标准工业接头

STANDARD INDUSTRIAL PRODUCTS

M型尼龙软管快速接头

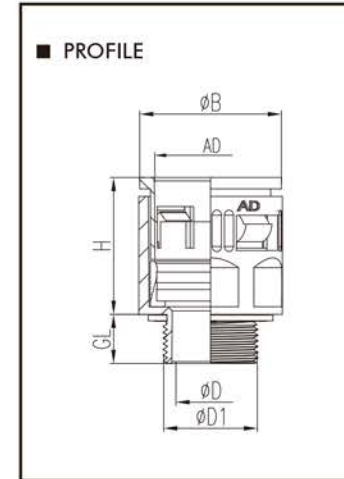
M-TYPE FAST-FIT STRAIGHT CONDUIT FITTINGS

→ M

CE RoHS REACH IP68

材料: 采用UL认可的尼龙材料
 防水圈: 丁腈橡胶, (可定制耐候橡胶)
 O型圈: 耐候橡胶
 工作温度: -40°C至125°C
 颜色种类: 灰色、黑色, 其他颜色可定做
 防护等级: IP68
 材料种类: V0或F1可定做

Material: PA (NYLON), UL 94 V-2
 Hermetic seal: NBR, (EPDM Upon Request)
 O-Ring: EPDM
 Working temperature: -40°C to 125°C
 Color: Grey(RAL7035), Black(RAL9005), other colors customized.
 Protection Class: IP68
 Material options: V0, or F1 can be offered upon request.



Thread ØD1	ØD mm	AD mm	H mm	GL mm	ØB mm	mm	Mode No.	
							RAL7035 ●	RAL9005 ○
M12X1.5	7.5	10	23.5	11.5	17	15.5	FSP-BST-M12-10	FSP-BST-M12B-10
M16X1.5	10	13	26	11.5	20	18	FSP-BST-M16-13.0	FSP-BST-M16B-13.0
M16X1.5	11	15.8	28	11.5	23	21	FSP-BST-M16-15.8	FSP-BST-M16B-15.8
M20X1.5	12	15.8	28	13	23	21	FSP-BST-M20-15.8	FSP-BST-M20B-15.8
M20X1.5	15	21.2	31.5	13	29.5	27	FSP-BST-M20-21.2	FSP-BST-M20B-21.2
M25X1.5	17	21.2	31.5	13	29.5	27	FSP-BST-M25-21.2	FSP-BST-M25B-21.2
M25X1.5	20	28.5	34	13	38	35	FSP-BST-M25-28.5	FSP-BST-M25B-28.5
M32X1.5	23.5	28.5	34	15	38	35	FSP-BST-M32-28.5	FSP-BST-M32B-28.5
M32X1.5	25.5	34.5	36	15	44	41	FSP-BST-M32-34.5	FSP-BST-M32B-34.5
M40X1.5	29	34.5	36	15	44	41	FSP-BST-M40-34.5	FSP-BST-M40B-34.5
M40X1.5	33	42.5	37	15	52	50	FSP-BST-M40-42.5	FSP-BST-M40B-42.5
M50X1.5	43	54.5	49	17	68	65	FSP-BST-M50-54.5	FSP-BST-M50B-54.5
M63X1.5	48	54.5	49	17	68	65	FSP-BST-M63-54.5	FSP-BST-M63B-54.5



标准工业接头

STANDARD INDUSTRIAL PRODUCTS

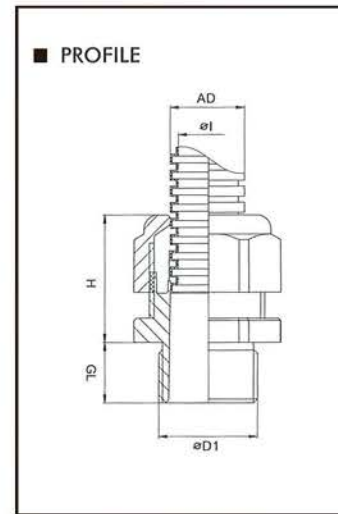
PG型/M型/NPT型软管接头

PG-TYPE/M-TYPE/NPT-TYPE FLEXIBLE CONDUIT FITTINGS

→ M

CE RoHS

材料:	采用UL认可的尼龍材料	Material:	PA (NYLON), UL 94 V-2
防水圈:	丁腈橡膠, (可定制耐候橡膠)	Hermetic seal:	NBR, (EPDM Upon Request)
O型圈:	耐候橡膠	O-Ring:	EPDM
工作溫度:	靜態-40°C至100°C 或瞬間可耐熱至120°C 動態-20°C至80°C 或瞬間可耐熱至100°C	Working temperature:	-40°C to 100°C in static state Instantaneous heat resistance up to 120°C -20°C to 80°C in dynamic state Instantaneous heat resistance up to 100°C
顏色種類:	灰色、黑色, 其他顏色可定做	Color:	Grey, Black other colors customized.



Thread øD1	Mode No.	
	gray	black
PG7	FSP-P07G	FSP-P07B
PG9	FSP-P09G	FSP-P09B
PG11	FSP-P11G	FSP-P11B
PG13.5	FSP-P135G	FSP-P135B
PG16	FSP-P16G	FSP-P16B
PG21	FSP-P21G	FSP-P21B
PG29	FSP-P29G	FSP-P29B
PG36	FSP-P36G	FSP-P36B
PG42	FSP-P42G	FSP-P42B
PG48	FSP-P48G	FSP-P48B

Thread øD1	Mode No.	
	gray	black
M12x1.5	FSP-M12G	FSP-M12B
M16x1.5	FSP-M16G	FSP-M16B
M20x1.5	FSP-M20G	FSP-M20B
M25x1.5	FSP-M25G	FSP-M25B
M32x1.5	FSP-M32G	FSP-M32B
M40x1.5	FSP-M40G	FSP-M40B
M50x1.5	FSP-M50G	FSP-M50B
M63x1.5	FSP-M63G	FSP-M63B

Thread øD1	Mode No.	
	gray	black
3/8"NPT	FSP-N38G	FSP-N38B
1/2"NPT	FSP-N12G	FSP-N12B
3/4"NPT	FSP-N34G	FSP-N34B
1"NPT	FSP-N100G	FSP-N100B
1 1/4"NPT	FSP-N114G	FSP-N114B
1 1/2"NPT	FSP-N112G	FSP-N112B

软管连接系统

CONDUIT SYSTEM

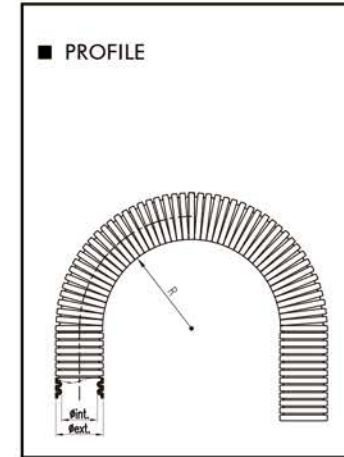
FSP-PA6尼龙软管 厚壁

FSP-PA6 FLEXIBLE CONDUIT HEAVY-DUTY

→ PA

REACH CE RoHS

<p>材料： 進口PA6</p> <p>顏色： 深灰色，黑色</p> <p>溫度： -40°C-125°C</p> <p>防護等級： IP68</p> <p>阻燃等級： HB (UL94), 根據FMVSS 302要求, 燃燒速度<100mm/min</p> <p>特性： 柔軟有韌性，表面有光澤，抗扭曲，高的機械強度，耐油、碱、弱酸等，耐摩擦，黑色耐紫外綫，通過德國環保ROHS, REACH, 歐洲CE認證，不含鎵素和磷</p> <p>應用場合： 機床，機械設備，電氣控制系統，安裝行業等重載部位</p>	<p>Material: High-Grade Imported PA6</p> <p>Color: Dark Grey, Black</p> <p>Temperature Range: -40°C - 125°C</p> <p>Protection Class: IP68</p> <p>Flammability Rating: Flammability Rating: HB(UL94), According to FMVSS 302 request, Burning Speed < 100mm/min</p> <p>Features: Flexible and ductile, Medium-duty, Twist-resistance, high mechanical strength, Chemical resistance to Oil, alkalis, weak acids and so on. Resistance to abrasion and UV. Free from Halogen and Phosphorus.</p> <p>How To Use: For applications in machinery building, electrical control system, installation industries and other heavy-duty application.</p>
---	---



Mode No. black	Mode No. gray	Mode No. slit black	Conduit Size	d×D mm	Stat.R mm	Dyn.R mm	PU
FSP-PAHD-10B	FSP-PAHD-10G	FSP-PAHD-10B/S	AD10	6.0×10	15	40	100
FSP-PAHD-13B	FSP-PAHD-13G	FSP-PAHD-13B/S	AD13	9.4×13	20	50	100
FSP-PAHD-15.8B	FSP-PAHD-15.8G	FSP-PAHD-15.8B/S	AD15.8	11.8×15.8	25	70	100
FSP-PAHD-18.5B	FSP-PAHD-18.5G	FSP-PAHD-18.5B/S	AD18.5	14×18.5	35	70	100
FSP-PAHD-21.2B	FSP-PAHD-21.2G	FSP-PAHD-21.2B/S	AD21.2	16×21.2	35	80	100
FSP-PAHD-25.5B	FSP-PAHD-25.5G	FSP-PAHD-25.5B/S	AD25.5	20.8×25.5	42	85	50
FSP-PAHD-28.5B	FSP-PAHD-28.5G	FSP-PAHD-28.5B/S	AD28.5	21.7×28.5	45	110	50
FSP-PAHD-34.5B	FSP-PAHD-34.5G	FSP-PAHD-34.5B/S	AD34.5	27.5×34.5	50	130	50
FSP-PAHD-42.5B	FSP-PAHD-42.5G	FSP-PAHD-42.5B/S	AD42.5	35.3×42.5	60	180	25
FSP-PAHD-54.5B	FSP-PAHD-54.5G	FSP-PAHD-54.5B/S	AD54.5	46.9×54.5	70	220	25



软管连接系统

CONDUIT SYSTEM

FSP-PA6尼龙软管 中壁

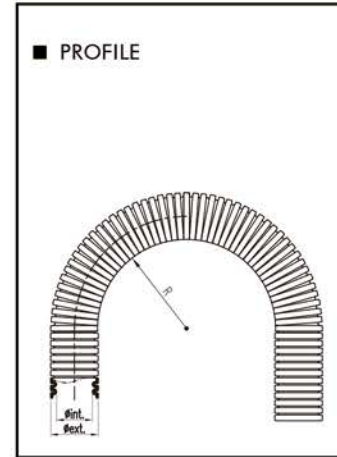
FSP-PA6 FLEXIBLE CONDUIT MEDIUM-DUTY

→ PA

REACH CE RoHS

材料： 進口PA6
 顏色： 深灰色, 黑色
 溫度： -40°C~125°C
 防護等級： IP68
 阻燃等級： HB (UL94), 燃燒速度 <100mm/min
 特性： 柔軟有韌性, 中等壁厚, 表面有光澤, 抗扭曲, 高的機械強度, 耐油、碱、弱酸等, 耐摩擦, 黑色耐紫外綫, 通過德國環保ROHS.REACH, 歐洲CE認證, 不含瀉素和磷
 應用場合： 機床, 機械設備, 電氣控制系統, 安裝行業等

Material: High-Grade Imported PA6
 Color: Dark Grey,Black
 Temperature Range: -40°C~125°C
 Protection Class: IP68
 Flammability Rating: HB(UL94), Burning Speed <100mm/min
 Features: FFeatures: Flexible and ductile, Medium-duty, Twist-reistance,high mechanical Strength, Chemical resistance to Oil, alkalis, weak acids and so on. Resistance to abrasion and UV. Free from Halogen and Phosphorus.
 How To Use: For applications in machinery building,electrical control system,installation industries and so on.



Mode No. black	Mode No. gray	Mode No. slit black	Conduit Size	d×D mm	Stat.R mm	Dyn.R mm	PU
FSP-PAH-10B	FSP-PAH-10G	FSP-PAH-10B/S	AD10	6.5×10	15	40	100
FSP-PAH-13B	FSP-PAH-13G	FSP-PAH-13B/S	AD13	10×13	20	50	100
FSP-PAH-15.8B	FSP-PAH-15.8G	FSP-PAH-15.8B/S	AD15.8	12×15.8	25	70	100
FSP-PAH-18.5B	FSP-PAH-18.5G	FSP-PAH-18.5B/S	AD18.5	14.3×18.5	35	70	100
FSP-PAH-21.2B	FSP-PAH-21.2G	FSP-PAH-21.2B/S	AD21.2	17×21.2	35	80	100
FSP-PAH-25.5B	FSP-PAH-25.5G	FSP-PAH-25.5B/S	AD25.5	21×25.5	42	85	50
FSP-PAH-28.5B	FSP-PAH-28.5G	FSP-PAH-28.5B/S	AD28.5	23×28.5	45	110	50
FSP-PAH-34.5B	FSP-PAH-34.5G	FSP-PAH-34.5B/S	AD34.5	29×34.5	50	130	50
FSP-PAH-42.5B	FSP-PAH-42.5G	FSP-PAH-42.5B/S	AD42.5	36×42.5	60	180	25
FSP-PAH-54.5B	FSP-PAH-54.5G	FSP-PAH-54.5B/S	AD54.5	48×54.5	70	220	25



软管连接系统

CONDUIT SYSTEM

FSP-PA6阻燃尼龙软管 厚壁

FSP-PA6 FIRRPROOF FLEXIBLE CONDUIT HEAVY-DUTY

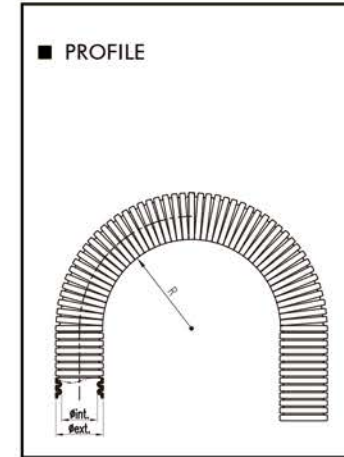
→ PA EN45545-2 REACH CE RoHS

材料： 進口PA6
 顏色： 深灰色，黑色
 溫度： -40°C~125°C
 防護等級： IP68
 阻燃等級： V0(UL94), 自熄, B級
 特性： 柔軟有韌性，表面有光澤，耐摩擦，抗扭曲，高的機械強度，耐油、碱、弱酸等，黑色耐紫外綫，自熄滅性非常好，滿足安全性能要求，通過德國環保ROHS, REACH測試，歐洲CE認證，通過EN45545-2檢測，不含鹵素和磷

應用場合： 動車，高鐵，地鐵，電力機車，機器人等靜態、動態重載部位

Material: High-Grade Imported PA6
 Color: Dark Grey, Black
 Temperature Range: -40°C ~ 125°C
 Protection Class: IP68
 Flammability Rating: V0(UL94), Self-extinguishing, Grade B
 Features: Flexible and ductile, Medium-duty, Twist-resistance, high mechanical strength, Chemical resistance to Oil, alkalis, weak acids and so on. Resistance to abrasion and UV. Free from Halogen and Phosphorus.

How To Use: For applications in machinery building, electrical control system, installation industries and other heavy-duty application.



Mode No. black	Mode No. gray	Mode No. slit black	Conduit Size	d×D mm	Stat.R mm	Dyn.R mm	PU
FSP-PAVD-10B	FSP-PAVD-10G	FSP-PAVD-10B/S	AD10	6.0×10	15	40	100
FSP-PAVD-13B	FSP-PAVD-13G	FSP-PAVD-13B/S	AD13	9.4×13	20	50	100
FSP-PAVD-15.8B	FSP-PAVD-15.8G	FSP-PAVD-15.8B/S	AD15.8	11.8×15.8	25	70	100
FSP-PAVD-18.5B	FSP-PAVD-18.5G	FSP-PAVD-18.5B/S	AD18.5	14×18.5	35	70	100
FSP-PAVD-21.2B	FSP-PAVD-21.2G	FSP-PAVD-21.2B/S	AD21.2	16×21.2	35	80	100
FSP-PAVD-25.5B	FSP-PAVD-25.5G	FSP-PAVD-25.5B/S	AD25.5	20.8×25.5	42	85	50
FSP-PAVD-28.5B	FSP-PAVD-28.5G	FSP-PAVD-28.5B/S	AD28.5	21.7×28.5	45	110	50
FSP-PAVD-34.5B	FSP-PAVD-34.5G	FSP-PAVD-34.5B/S	AD34.5	27.5×34.5	50	130	50
FSP-PAVD-42.5B	FSP-PAVD-42.5G	FSP-PAVD-42.5B/S	AD42.5	35.3×42.5	60	180	25
FSP-PAVD-54.5B	FSP-PAVD-54.5G	FSP-PAVD-54.5B/S	AD54.5	46.9×54.5	70	220	25



软管连接系统

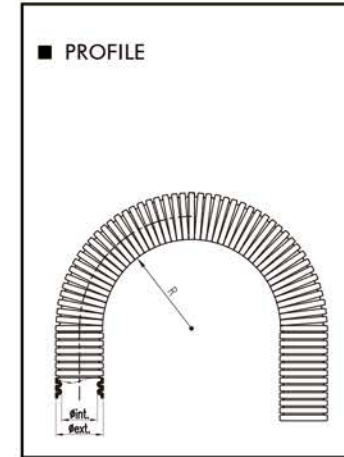
CONDUIT SYSTEM

FSP-PA6阻燃尼龙软管 中壁

FSP-PA6 FLAME-RETARDANT FLEXIBLE CONDUIT MEDIUM-DUTY

→ PA	EN45545-2	REACH	CE	RoHS
------	-----------	-------	----	------

<p>材料： 進口PA6</p> <p>顏色： 深灰色，黑色</p> <p>溫度： -40°C~125°C</p> <p>防護等級： IP68</p> <p>阻燃等級： V0 (UL94) .自熄，B級</p> <p>特性： 柔軟有韌性，中等壁厚，表面有光澤，抗扭曲，高的機械強度，耐油、碱、弱酸等耐摩擦，黑色耐紫外綫，通過德國環保ROHS.REACH，歐洲CE認證，通過歐盟EN45545-2檢測，不含鹵素磷</p> <p>應用場合： 動車，高鐵，地鐵，電力機車，機器人等靜態、動態部位</p>	<p>Material: High-Grade Imported PA6</p> <p>Color: Dark Grey,Black</p> <p>Temperature Range: -40°C~125°C</p> <p>Protection Class: IP68</p> <p>Flammability Rating: V0(UL94), Self-extinguishing, Grade B</p> <p>Features: FFeatures: Flexible and ductile, Medium-duty, Twist-reisistance,high mechanical Strength, Chemical resistance to Oil, alkalis, weak acids and so on.</p> <p>Resistance to abrasion and UV.</p> <p>Free from Halogen and Phosphorus.</p> <p>Passing EN45545-2 Testing</p> <p>How To Use: For Static Application in Railway vehicles, subway vehicles,Electrical vehicles and robotics</p>
--	--



Mode No. black	Mode No. gray	Mode No. slit black	Conduit Size	d×D mm	Stat.R mm	Dyn.R mm	PU
FSP-PAV-10B	FSP-PAV-10G	FSP-PAV-10B/S	AD10	6.5×10	15	40	100
FSP-PAV-13B	FSP-PAV-13G	FSP-PAV-13B/S	AD13	10×13	20	50	100
FSP-PAV-15.8B	FSP-PAV-15.8G	FSP-PAV-15.8B/S	AD15.8	12×15.8	25	70	100
FSP-PAV-18.5B	FSP-PAV-18.5G	FSP-PAV-18.5B/S	AD18.5	14.3×18.5	35	70	100
FSP-PAV-21.2B	FSP-PAV-21.5G	FSP-PAV-21.5B/S	AD21.2	17×21.2	35	80	100
FSP-PAV-25.5B	FSP-PAV-25.5G	FSP-PAV-25.5B/S	AD25.5	21×25.5	42	85	50
FSP-PAV-28.5B	FSP-PAV-28.5G	FSP-PAV-28.5B/S	AD28.5	23×28.5	45	110	50
FSP-PAV-34.5B	FSP-PAV-34.5G	FSP-PAV-34.5B/S	AD34.5	29×34.5	50	130	50
FSP-PAV-42.5B	FSP-PAV-42.5G	FSP-PAV-42.5B/S	AD42.5	36×42.5	60	180	25
FSP-PAV-54.5B	FSP-PAV-54.5G	FSP-PAV-54.5B/S	AD54.5	48×54.5	70	220	25



软管连接系统

CONDUIT SYSTEM

FSP-PA12尼龙软管 中壁

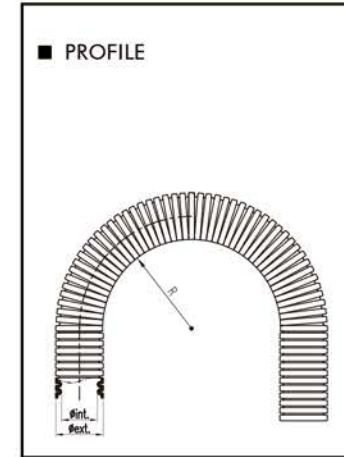
FSP-PA12 FLEXIBLE CONDUIT MEDIUM-DUTY

→ PA

REACH CE RoHS

材料： 進口PA12
 顏色： 深灰色，黑色
 溫度： -40°C-125°C
 防護等級： IP68
 阻燃等級： HB (UL94)，燃燒速度
 <100mm/min
 特性： 高柔軟性，表面有光澤，抗
 扭曲，高的機械強度，耐油
 、碱、弱酸等，耐摩擦，黑
 色耐紫外綫，通過德國環保
 ROHS, REACH, 歐洲CE認證，不
 含瀉素和磷
 應用場合： 機床，機械制造，電氣控制
 系統等動態重要部位

Material: High-Grade Imported PA12
 Color: Dark Grey, Black
 Temperature Range: -40°C – 125°C
 Protection Class: IP68
 Flammability Rating: HB(UL94), Burning Speed
 <100mm/min
 Features: Flexible and ductile, Medium-duty, Twist-reisistance, high mechanical strength, Chemical resistance to Oil, alkalis, weak acids and so on. Resistance to abrasion and UV. Free from Halogen and Phosphorus.
 How To Use: For applications in machinery building, electrical control system and so on.



Mode No. black	Mode No. gray	Mode No. slit black	Conduit Size	d×D mm	Stat.R mm	Dyn.R mm	PU
FSP-PAHR-10B	FSP-PAHR-10G	FSP-PAHR-10B/S	AD10	6.5×10	15	40	100
FSP-PAHR-13B	FSP-PAHR-13G	FSP-PAHR-13B/S	AD13	10×13	20	50	100
FSP-PAHR-15.8B	FSP-PAHR-15.8G	FSP-PAHR-15.8B/S	AD15.8	12×15.8	25	70	100
FSP-PAHR-18.5B	FSP-PAHR-18.5G	FSP-PAHR-18.5B/S	AD18.5	14.3×18.5	35	70	100
FSP-PAHR-21.2B	FSP-PAHR-21.2G	FSP-PAHR-21.2B/S	AD21.2	17×21.2	35	80	100
FSP-PAHR-25.5B	FSP-PAHR-25.5G	FSP-PAHR-25.5B/S	AD25.5	21×25.5	42	85	50
FSP-PAHR-28.5B	FSP-PAHR-28.5G	FSP-PAHR-28.5B/S	AD28.5	23×28.5	45	110	50
FSP-PAHR-34.5B	FSP-PAHR-34.5G	FSP-PAHR-34.5B/S	AD34.5	29×34.5	50	130	50
FSP-PAHR-42.5B	FSP-PAHR-42.5G	FSP-PAHR-42.5B/S	AD42.5	36×42.5	60	180	25
FSP-PAHR-54.5B	FSP-PAHR-54.5G	FSP-PAHR-54.5B/S	AD54.5	48×54.5	70	220	25



充电枪系列

EV CHARGING CONNECTION

美标直流充电枪 150A 600VDC/60A 240VAC
SAE J1772 DC FAST CHARGE EV CHARGING



FSP-DSIEC3j-EV150P

EVE $2*50\text{mm}^2+25\text{mm}^2+6*0.75\text{mm}^2$ Cable size according to requirements of customers

欧标直流充电枪 150A 1000VDC
TYPE2 DC EV CHARGER



FSP-DSIEC3m-EV150P

EVE $2*50\text{mm}^2+1*25\text{mm}^2+6*0.75\text{mm}^2$ Cable size according to requirements of customers

国标交流充电枪 16A/32A
GB/T AC EV CHARGER



FSP-DSI-V5C-EV16P

EVE $3*2.5\text{mm}^2+2*0.75\text{mm}^2$

Cable size according to requirements of customers

FSP-DSI-V5C-EV32P

EVE $3*6\text{mm}^2+2*0.75\text{mm}^2$

欧标三相交流充电枪 16A/32A
TYPE2 AC EV CHARGER 3 PHASE



FSP-DSIEC2e-EV16P

1 PHASE: EVE $3*2.5\text{mm}^2+2*0.5\text{mm}^2$

3 PHASE: EVE $5*2.5\text{mm}^2+2*0.5\text{mm}^2$

Cable size according to requirements of customers

FSP-DSIEC2e-EV32P

1 PHASE: EVE $3*6\text{mm}^2+2*0.5\text{mm}^2$

3 PHASE: EVE $5*6\text{mm}^2+2*0.5\text{mm}^2$

充电枪系列

EV CHARGING CONNECTION

美标交流充电枪16A/30A/40A/50A
SAE J1772 AC EV CHARGING



FSP-DSS-EV40P-V3 40A 240V

EVE 2*8AWG+10AWG+16AWG
Cable size 18inch, 24inch or according to requirements of customers

FSP-DSS-EV32P-V3 32A 240V

EVE 3*10AWG+18AWG Cable size 18inch, 24inch or according to requirements of customers

美标交流充电枪16A/32A
SAE J1772 AC EV CHARGING



FSP-DSS-EV32P-V5 32A 240V

EVE 3*10AWG+18AWG
Cable size 18inch, 24inch or according to requirements of customers

充电枪系列

EV CHARGING CONNECTION

美标交流充电枪 16/32A/50A/60A
SAE J1772 AC EV CHARGING



FSP-GEVC-S100-A2 32A 240V

EVE 3*10AWG+18AWG

Cable size 18inch, 24inch or according to requirements of customers

美标交流充电枪 32A
SAE J1772 AC EV CHARGING



FSP-WOER-T1-C-AC32-01 32A 250VAC

EVE 3*10AWG (5.261mm²)+5*20AWG

Cable size 18inch, 24inch or according to requirements of customers

充电枪系列

EV CHARGING CONNECTION

欧标三相交流充电枪 32A
TYPE2 AC EV CHARGER 3 PHASE



FSP-DS1EG2e-EV32P 3P-N-PE 32A 240V/415V

EV 5G6.0mm²+2*0.5mm²

Cable size 18inch, 24inch or according to requirements of customers

国标三相交流充电枪 32A
GB/T AC EV CHARGER 3 PHASE



FSP-Nv4C-DS1-EV32P-3 32A 440V

EV-5G6.0mm²+2x0.5mm²

Cable size 18inch, 24inch or according to requirements of customers

充电枪系列

EV CHARGING CONNECTION

美标交流充电枪 16A/32A/40A
SAE J1772 AC EV CHARGING



FSP-U110-103001 32A

EVE 3*10AWG+18AWG Cable size according to requirements of customers

FSP-U110-109001 40A

EVE 2*8AWG+10AWG+16AWG Cable size according to requirements of customers

欧标单相交流充电枪 32A
IEC62196-2 charging plug single phase



FSP-DSIEC2e-EV32P 1P+N+PE 32A 250V

EV 3G6.0mm²+2*0.5mm²

Cable size 18inch、24inch or according to requirements of customers

充电枪座

EV PLUG SOCKET INLET

美标交流充电枪车端座 16A/32A/40A/50A
SAE J1772 SOCKET INLET



FSP-DSS-V3-EV16S

EVE 3*2.5mm²+2*0.75mm²

Cable size according to requirements of customers

FSP-DSS-V3-EV32S

EVE 3*6mm²+2*0.75mm²

FSP-DSS-V3-EV40S

EVE 2*8AWG+10AWG+16AWG

Cable size according to requirements of customers

FSP-DSS-V3-EV50S

EVE 2*8AWG+10AWG+16AWG

国标交流充电枪车端座 16A/32A
GB/T SOCKET INLET



FSP-NV3C-DSI-G-EV16S

EV 3*2.5mm²+2*0.75mm²

FSP-NV3C-DSI-G-EV32S

1 PHASE: EV 3*6mm²+2*0.75mm²

3 PHASE: EV 5*6mm²+2*0.75mm²

欧标交流充电枪插座

TYPE2 AC SOCKET INLET



FSP-DSIEC2f-EV16S Single Phase FSP-DSIEC2f-EV16S 3 Phase

EVE 3*2.5mm²+2*0.5mm²

EVE 5*2.5mm²+2*0.5mm²

Cable size according to requirements of customers

FSP-DSIEC2f-EV32S Single Phase FSP-DSIEC2f-EV32S 3 Phase

EVE 3*6mm²+2*0.5mm²

EVE 5*6mm²+2*0.5mm²

Cable size according to requirements of customers

充电枪插座

EV PLUG SOCKET INLET

美标交流充电枪插座

SAE J1772 EV SOCKET FOR EV SIDE PLUG



欧标交流充电枪插座

TYPE2 EV SOCKET FOR SIDE PLUG



国标交流充电枪插座

GB/T SOCKET INLET FOR SIDE PLUG



美标交流充电枪插座

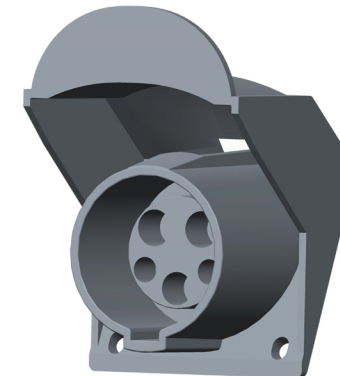
SAE J1772 EV PLUG HOLDER DUMMY SOCKET



7050

美标交流充电枪插座

SAE J1772 EV PLUG HOLDER DUMMY SOCKET



LG PC LUP01 HI-1006F

EV 线缆
EV CABLE

弹簧线
AC SPRING CHARGING CABLE



美标充电枪线缆EVE
UL CHARGING CABLE



欧标充电枪线缆TUV
TUV CHARGING CABLE

